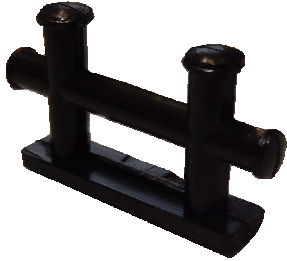
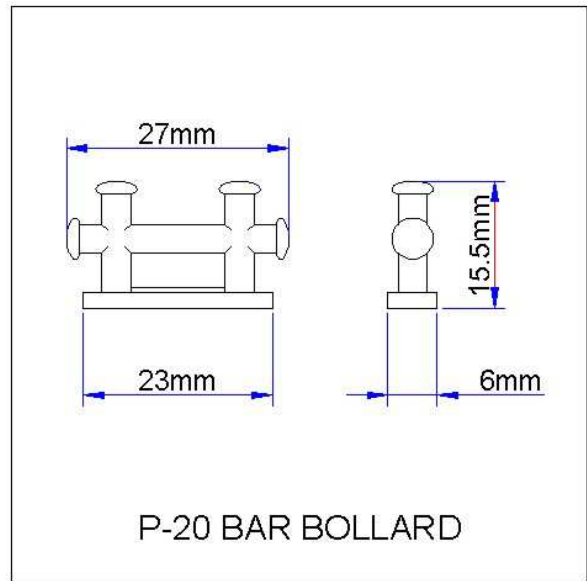


## Reade Models Product Data Sheet

### P-20 Bar Bollard



P-20 Bar Bollard



Fitting Dimensions

P-20 Bar Bollard	
Material:	High Impact Polystyrene.
Colour:	Black
Warning:	Product <i>may</i> contain Bisphenol 'A' – DO NOT INGEST
	Keep away from small children – danger of choking if swallowed.
	Flammable.
Solvent:	Any quality Poly Cement.