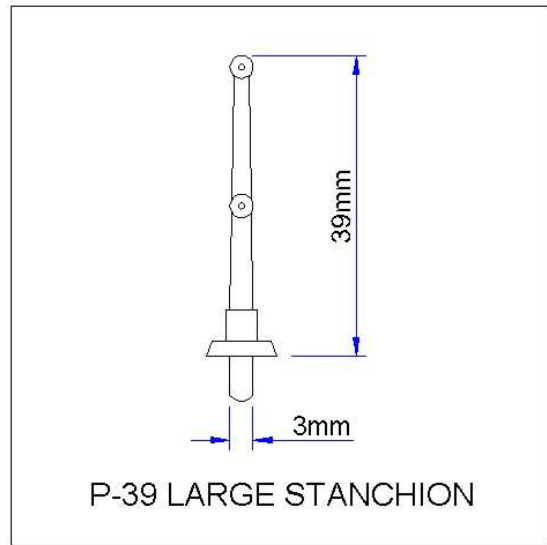


Reade Models Product Data Sheet

P-39 Large Stanchion



P-39 Large Stanchion



Fitting Dimensions

P-39 Large Stanchion	
Material:	High Impact Polystyrene.
Colour:	White
Warning:	Product <i>may</i> contain Bisphenol 'A' – DO NOT INGEST
	Keep away from small children – danger of choking if swallowed.
	Flammable.
Solvent:	Any quality Poly Cement.