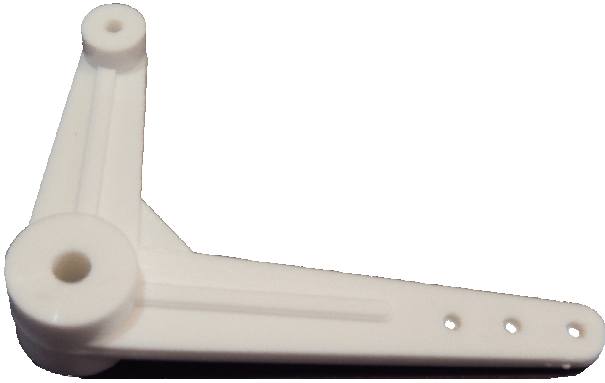
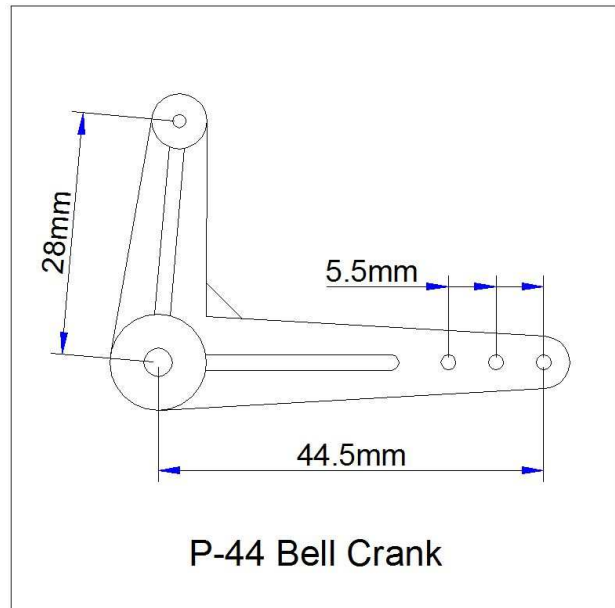


## Reade Models Product Data Sheet

### P-44 Bell Crank



P-44 Bell Crank



Fitting Dimensions

P-44 Bell Crank	
Material:	Polypropylene
Colour:	White or Black
Warning:	Product <i>may</i> contain Bisphenol 'A' – DO NOT INGEST
	Keep away from small children – danger of choking if swallowed.
	Flammable.
Solvent:	No solvents or glues for this product.